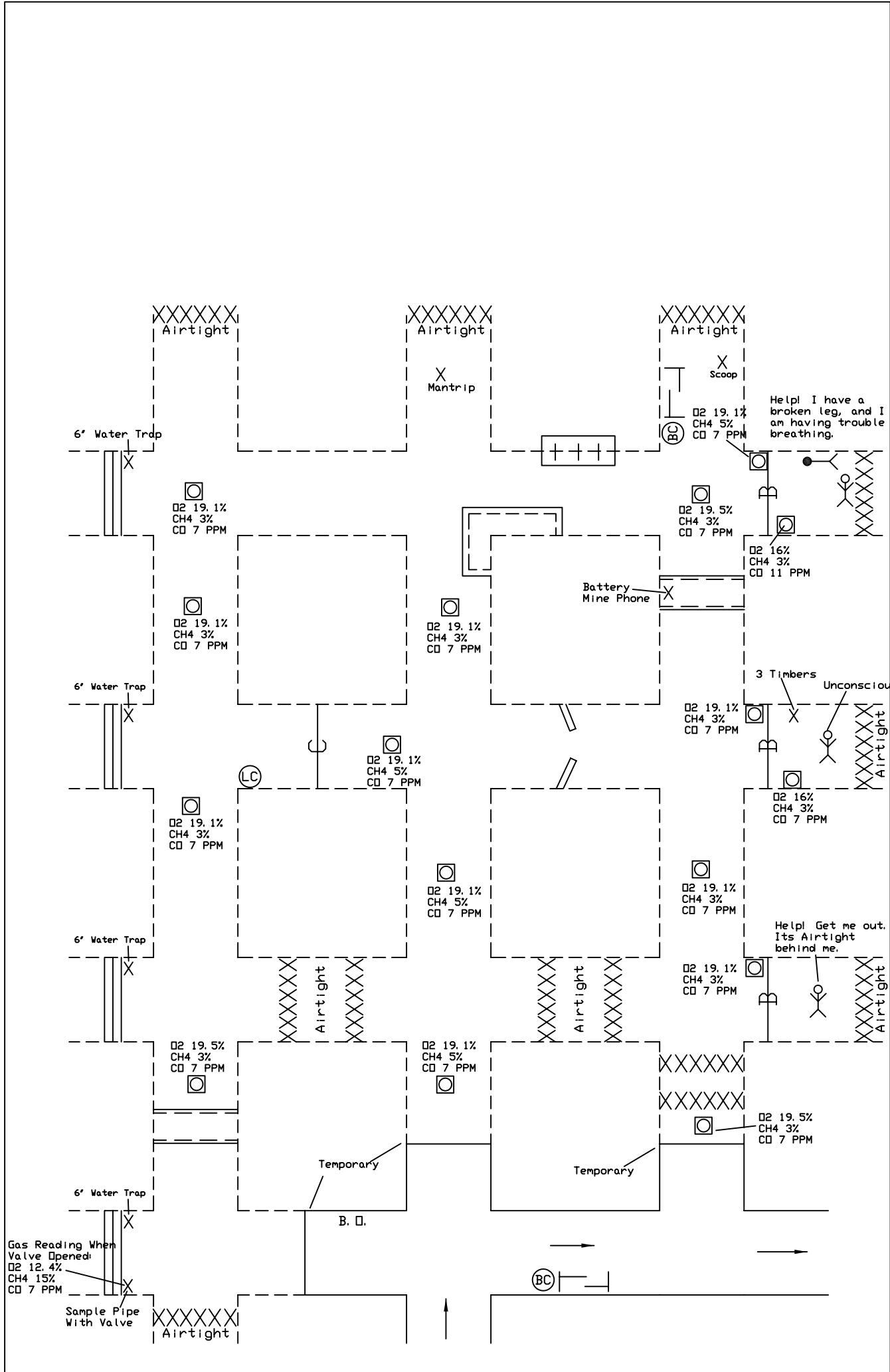


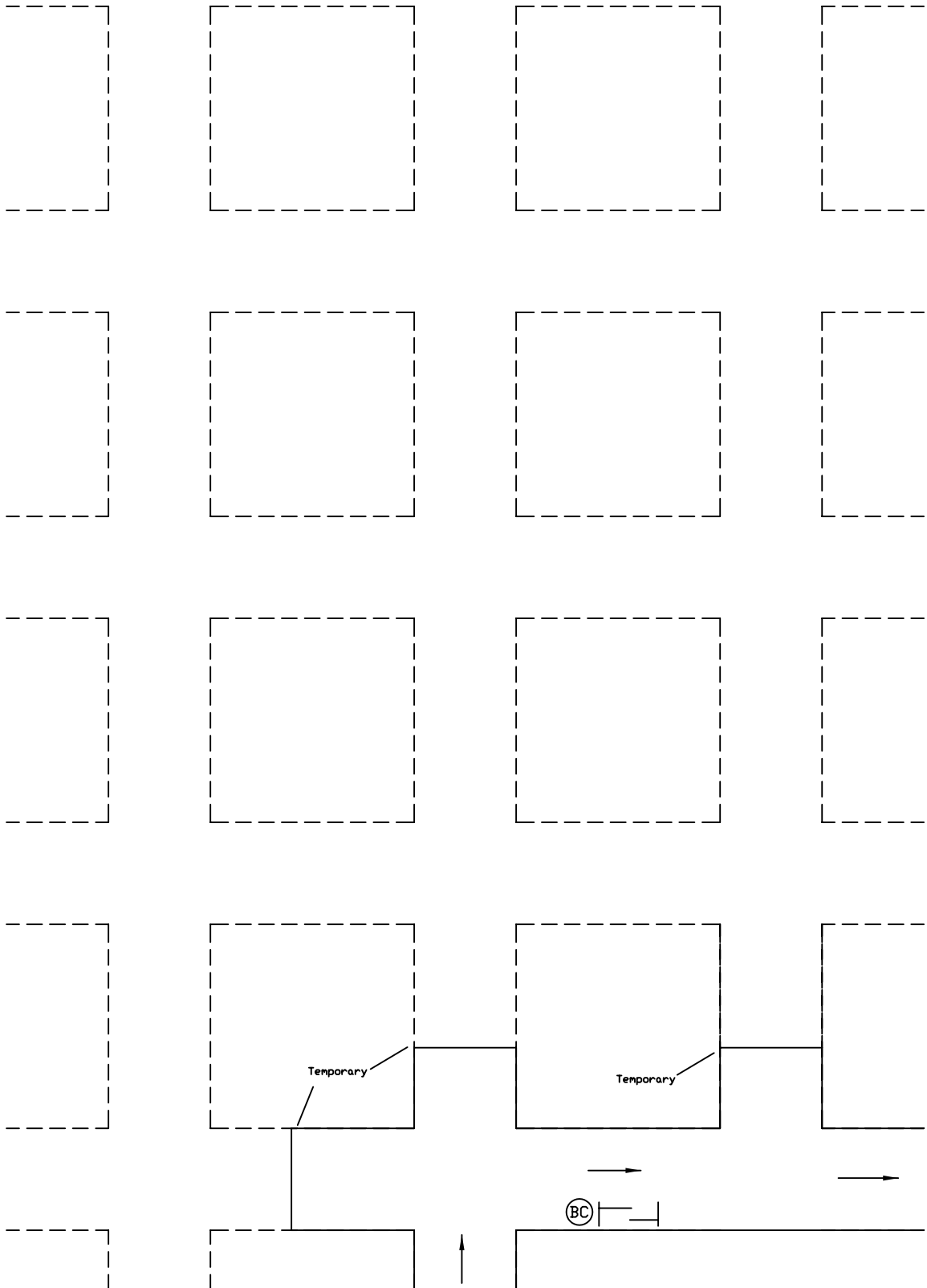
## **Statement**

Welcome to the 'Take It Easy' coal mine. Thank you for responding to our call for help. This morning, 10 miners entered the mine to do Saturday dead work. By looking at the main exhaust fan chart, we can only assume an explosion occurred which knocked power to the fan. 6 of the miners were able to escape out the intake and have been sent to a local hospital for further evaluations. Power to the fan has been restored and it is now running and must remain that way. The other team explored up to this point and established a fresh air base because they were too scared to continue any further. Their explorations indicated extensive damage to the roof from the concussion of the explosion. I wish we had some up-to-date maps to give you. However, management wisely thinks that engineers should NEVER be required to work on the weekends, so you will have to work with what we have available.

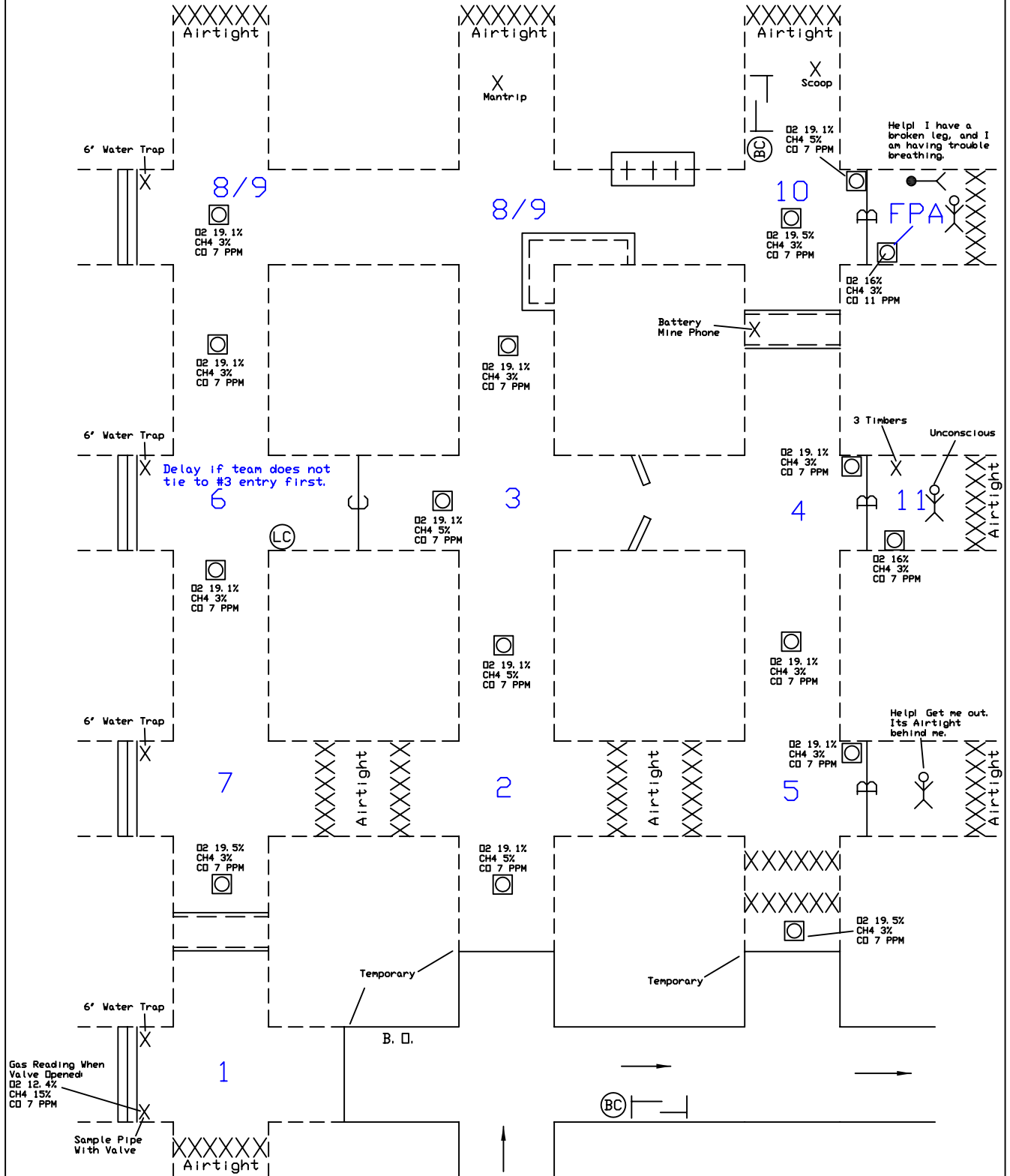
Please explore the entire area if it can be done so safely. Bring all survivors to the fresh air base, and leave the area where it can be recovered bare faced. Good luck!



# Team Map



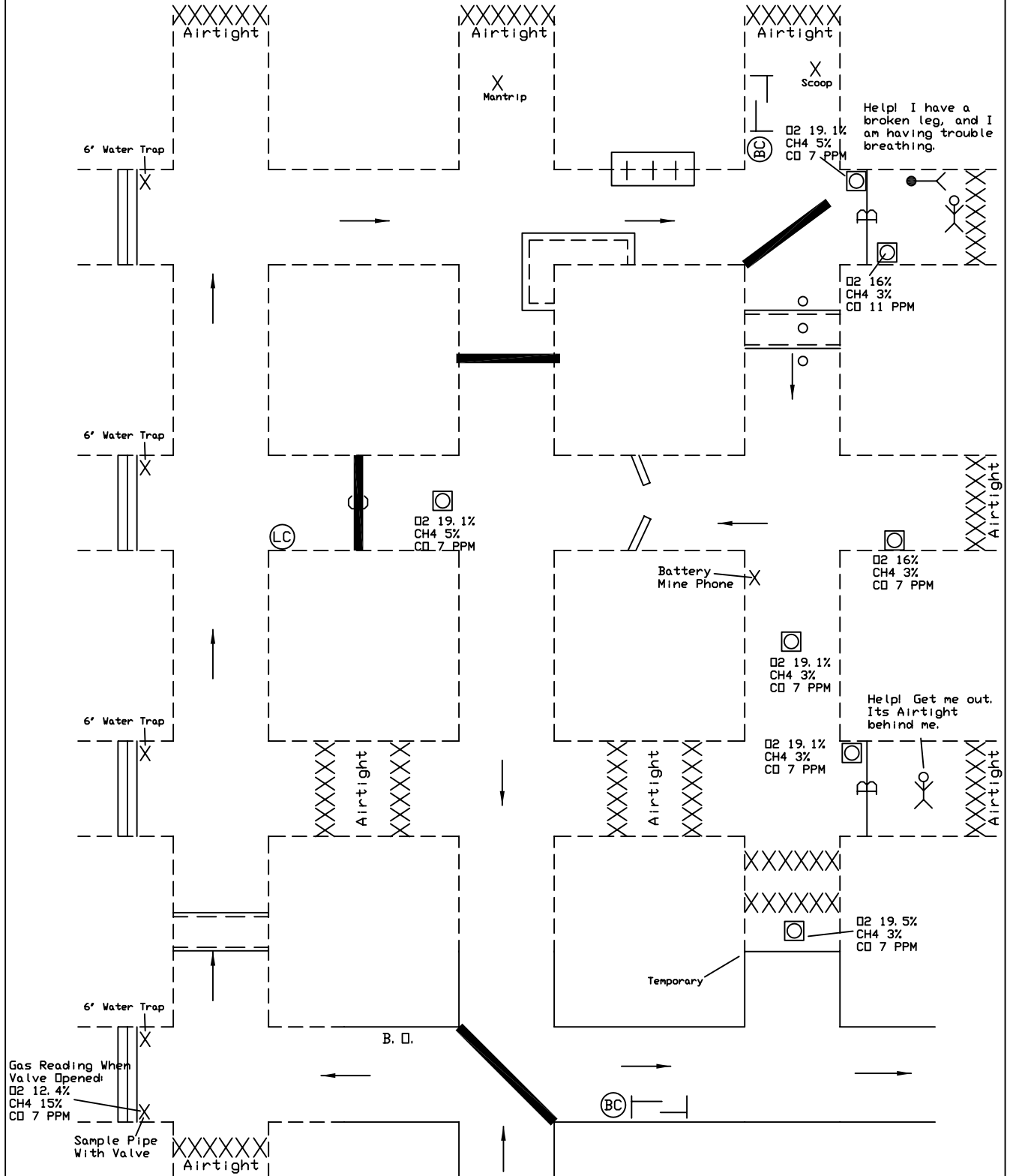
# Team Stops







# 3rd Vent



When you do the third ventilation and airlock into the barricade with the miner with the broken leg. You must FPA at the 11 ppm CO. You have an explosive mixture in the sealed area and evidence of fire with the 11 ppm CO and the map is not up to date.